



## FlashShield Outlet Box

### Description

FlashShield™ is metallurgically shielded corrugated stainless steel tubing system complying with ANSI LC 1 "Fuel Gas Piping Systems Using CSST" and listed with CSA®, ICC and IAPMO. The FlashShield system is also listed to protective jacket standards, ICC-ES PMG LC1024, and LC1027. All mechanical tube fittings are SAE CA360 brass incorporating double wall flare sealing and Jacket-Bite™ jacket capturing for steel tubing protection and continuous conductivity.

### Features:

- Kit Contains: FlashShield Male Termination Fitting, Valve Box, Valve, Finish Plate, Mounting Bracket, Jam Nut, Plug
- For Flush Mount "Fixed-Point" Termination of Appliances
- Approved for Concealed Use
- Tool-Less Flare Fitting Design
- Metal-to-Metal Seal
- Self-Guiding Fitting Assembly
- Patented Jacket Bite™
- Fully Reusable Fitting

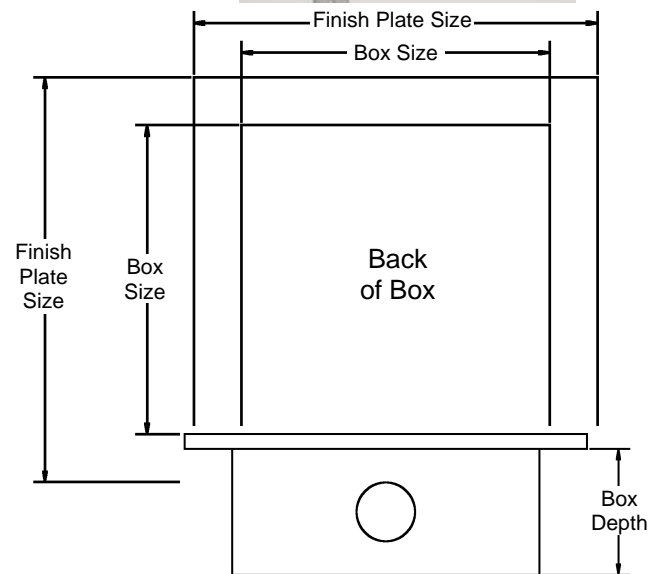


### Listings:

- CSA Certificate 1009875
- ICC-ES Report No. PMG 1066 and PMG 1155
- IAPMO: File No. C-3250 and Report No. 0239

### Technical Data:

Max. Approved Operating Pressure	5 psi
Recommended Test Pressure	50 psi
Operating Temperature Range	-35°F to 160°F
Fitting Material	CA360



### Dimensional Characteristics

Size	P/N	Pipe Thread	Nut Hex	Fitting Hex	Finish Plate Size	Box Size	Box Depth	Assembly Torque (ft-lbs)	Weight (lbs)
1/2"	FSOUTLETBOX-8	1/2"	1-1/4"	1-1/8"	6-13/16"	5-3/16"	2-1/8"	35	1.54
3/4"	FSOUTLETBOX-12	3/4"	1-9/16"	1-3/8"	8-1/2"	6-1/2"	3"	45	2.19