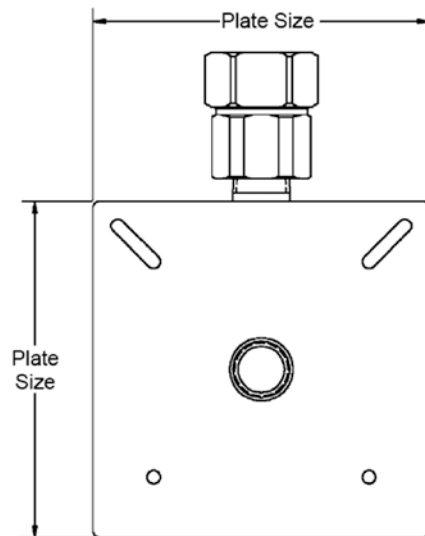


**Description (Sample Specification Language)**

Gastite® is a corrugated stainless steel tubing complying with ANSI LC 1 "Fuel Gas Piping Systems Using CSST" and listed with CSA®, ICC and IAPMO. Manufacturing materials are: ASTM A240 type 300 corrugated stainless steel tubing with a minimum wall thickness of .010", jacketing of UV resistant polyethylene meeting the requirements of ASTM E84 for flame spread and smoke density. All mechanical tube fittings are SAE CA360 brass incorporating double wall flare sealing and Jacket-Lock™ jacket capturing for steel tubing protection.

**Features:**

- Fixed Point Termination with Female XR2 Fitting
- Approved for Concealed Use
- Tool-Less Flare Fitting Design
- Metal-to-Metal Seal
- Self-Guiding Fitting Assembly
- Patented Jacket-Lock™
- Fully Reusable Fitting



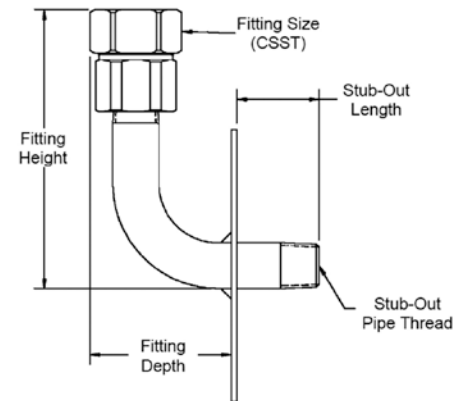
**Applicable Standards & Listings:**

- CSA: Certificate No. 2728525
- ICC-ES: Report No. PMG 1019
- IAPMO: File No. C-3250

**Technical Data:**

General

Max. Approved Operating Pressure	25 psi
Operating Temperature Range	-35°F to 205°F
Fitting Material	CA360
Stub-Out Material	Sch 40 Steel pipe Black Oxide Coating



**Dimensional Characteristics**

P/N	Stub-Out Length	Fitting Depth	Fitting Height	Stub-Out Pipe Thread	Fitting Size (CSST)	Plate Size	Assembly Torque (lubed, ft-lbs)	Weight (lbs)
XR-APSTUB-8	1-1/2"	2-1/2"	5-1/4"	1/2"	1/2"	5"	35	1.49
XR-L-APSTUB-8	2-1/4"	2-1/2"	6"	1/2"	1/2"	5"	35	1.55
XR-APSTUB-11	1-1/2"	2-3/4"	5-1/4"	1/2"	3/4"	5"	45	1.91
XR-L-APSTUB-11	2-1/4"	2-3/4"	6"	1/2"	3/4"	5"	45	1.97
XR-APSTUB-11-11	1-1/2"	3-1/4"	6"	3/4"	3/4"	5"	45	2.14
XR-L-APSTUB-11-11	2-1/4"	3-1/4"	6-7/8"	3/4"	3/4"	5"	45	2.20