

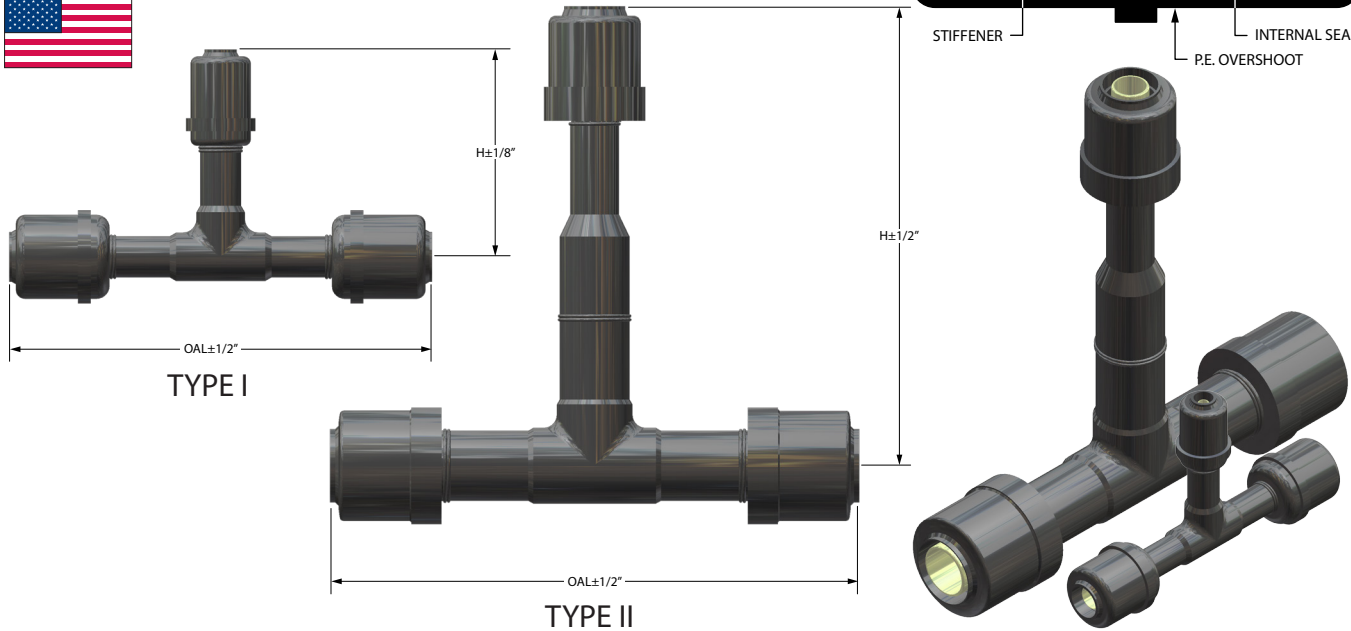
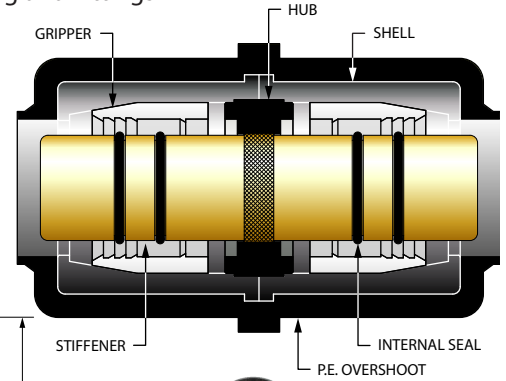


CON-STAB ID SEAL® FITTINGS

3-Way Reducing Tees

The Con-Stab meets the following standards:

- ▶ ASTM D 2513 "Standard Specification for Thermoplastic Gas Pressure Pipe, Tubing and Fittings"
- ▶ ASME B31.8-1995 "Gas Transmission and Distribution Piping Systems"
- ▶ D.O.T., Title 49 of the Code of Federal Regulations, Part 192.283 (b)
- ▶ NFPA 58, LP-Gas Code and NFPA 54 National Fuel Gas Code
- ▶ CSA
- ▶ ICC – International Plumbing Code
- ▶ IAPMO – Uniform Plumbing Code
- ▶ First Stab Connector to be rated at 125 psi
- ▶ Continental is a ISO 9001 Certified Company
- ▶ Made in the USA



PE SIZE (Run)	WALL	PE SIZE (Branch)	WALL	PART NUMBER (3408/4710)	PART NUMBER (2406)	TYPE	"OAL"	"H"	
3/4" IPS	SDR-11 (.095)	1/2" CTS (5/8" OD)	.090	3259-49-1304-00 ‡	3369-49-1304-00	I	11"	5 1/2"	
1" CTS (1 1/8" OD)	.090	3/4" CTS (7/8" OD)	.090	3259-49-0806-A0	3369-49-0806-A0	I	11"	5 1/2"	
	.099/.101			3259-49-0806-00	3369-49-0806-00				
	.090	1/2" CTS (5/8" OD)	.090	3259-49-0804-A0	3369-49-0804-A0				
1 1/4" IPS	SDR-11 (.151)	1" CTS (1 1/8" OD)	.090	3259-49-0804-00 ‡	3369-49-0804-00	I	14 3/4"	5 5/8"	
			.099/.101	3259-49-1508-AA	3369-49-1508-AA				
			.090	3259-49-1508-A0	3369-49-1508-A0				
	.099/.101	3259-49-1508-0A	3369-49-1508-0A						
	SDR-11 (.166)	3/4" IPS	SDR-11 (.095)	.090	3259-49-1508-00				3369-49-1508-00
	SDR-11 (.151)			3259-49-1513-A0	3369-49-1513-A0				
SDR-10 (.166)	3259-49-1513-00			3369-49-1513-00					
2" IPS	SDR-11	1 1/4" IPS	.090	3259-49-1504-A0	3369-49-1504-A0	II	20"	16 3/8"	
			.099/.101	3259-49-1504-00	3369-49-1504-00			15"	
		1" IPS	SDR-11 (.151)	3259-49-1715-0A	3369-49-1715-0A			14 7/8"	
		SDR-10 (.166)	3259-49-1715-00	3369-49-1715-00					
		SDR-11 (.119)	3259-49-1714-00	3369-49-1714-00					
1" CTS (1 1/8" OD)	.090	3259-49-1708-0A	3369-49-1708-0A						
	.099/.101	3259-49-1708-00	3369-49-1708-00						

- Pressure rating—Designed to meet or exceed pressure rating of PE pipe per 49 CFR Part 192 and ASTM D2513.
- ‡ = IAPMO/UPC Listed



The Ultimate Connection

Phone: 1-800-558-1373 • Fax: 1-800-788-1668 • www.conind.com

