

Description:

XR3 (rev. 2) series mechanical brass fittings are specifically designed for use with Gastite®, FlashShield®, and FlashShield+™ flexible gas piping systems complying with ANSI LC 1 "Fuel Gas Piping Systems Using CSST". The self-flaring fitting produces a metal-to-metal seal, and is reusable. The fittings have standard NPT threads and may be used in combination with all approved fuel gas piping materials with pipe thread as an interface. Jacket-Lock®, Metal Lock, Arc-Trap™, and multi-point seal features are incorporated into the fitting.

Components:

- XR3 Male Termination Fitting, Valve Box, Valve, Finish Plate, Mounting Bracket, Jam Nut, Plug

Features:

- Tool-Less Flare Fitting Design
- Metal-to-Metal Seal
- Multi-Point Seal
- Jacket-Lock®
- Arc-Trap™ (FlashShield+ only)
- Metal Lock (FlashShield only)
- Fully Reusable Fitting
- Approved for Concealed Use

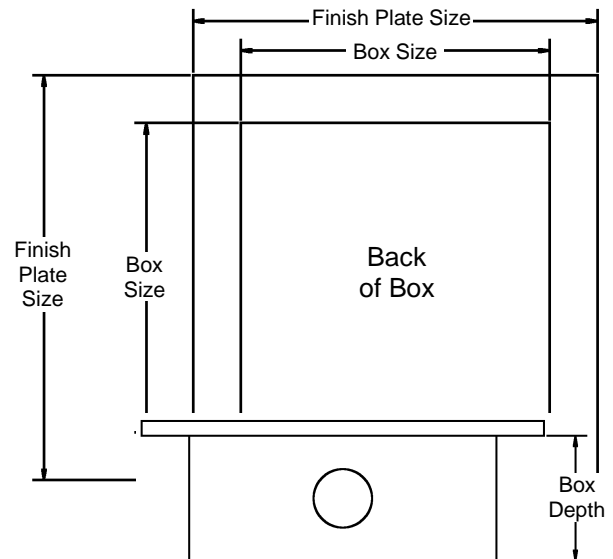


Listings:

- CSA Certificate 2728525
- ICC-ES Report No. PMG 1155
- IAPMO: Report No. 3250 and Report No. 0239

Technical Data:

Max. Approved Operating Pressure	25 psi
Operating Temperature Range	-40°F to 160°F
Fitting Material	CA360 Brass



Dimensional Characteristics

Size	P/N	Pipe Thread	Nut Hex	Fitting Hex	Finish Plate Size	Box Size	Box Depth	Reference Assembly Torque (ft-lbs)	Weight (lbs)
1/2"	XR3OUTLETBOX-8	1/2"	1-1/4"	1-1/8"	6-13/16"	5-3/16"	2-1/8"	35	1.54
3/4"	XR3OUTLETBOX-11	3/4"	1-9/16"	1-3/8"	8-1/2"	6-1/2"	3"	45	2.19